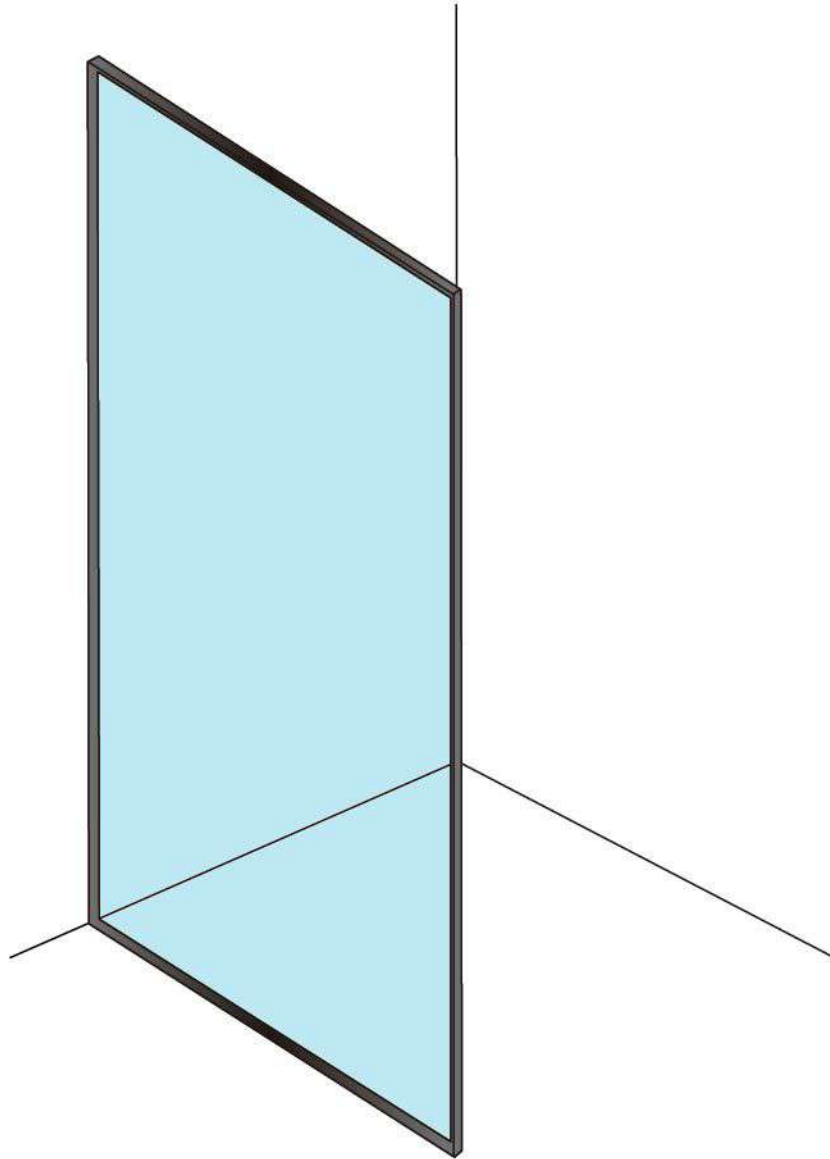


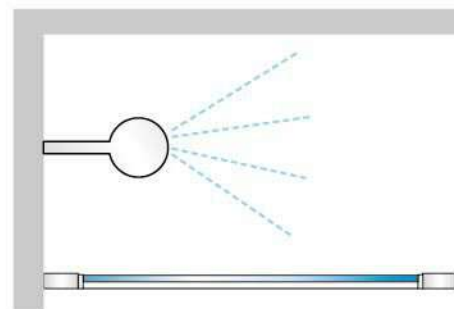
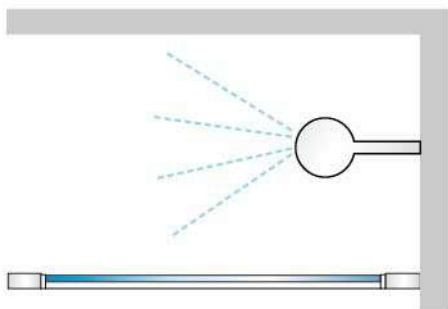
Installation Guide

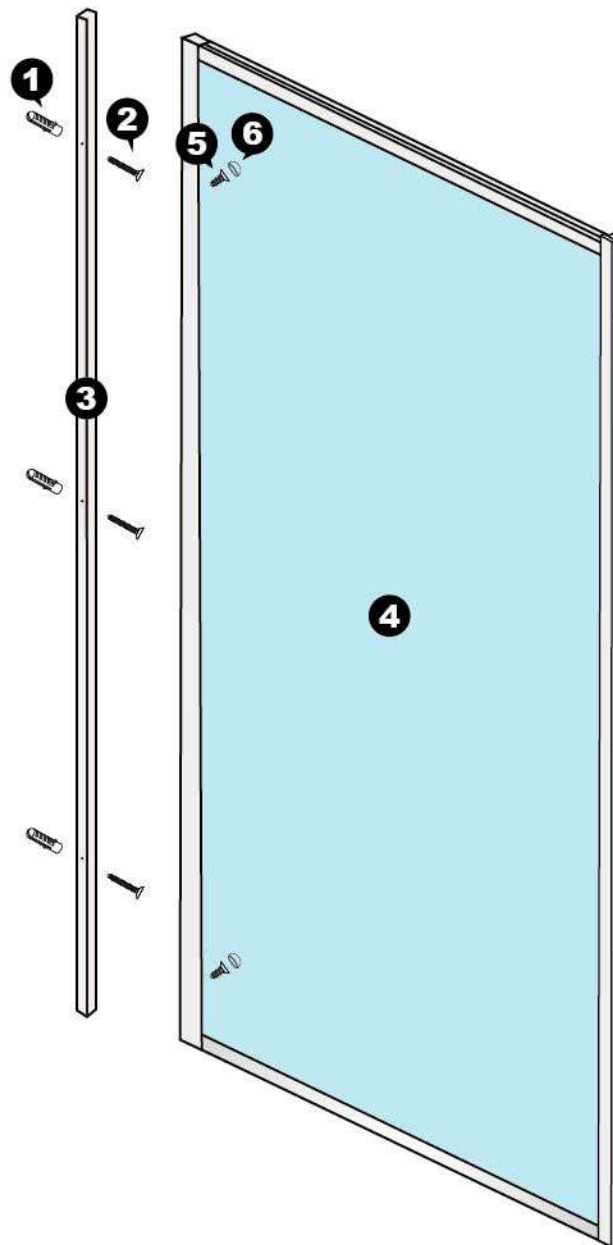


Code: RITA



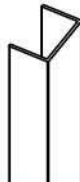

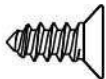



Fully framed shower panel

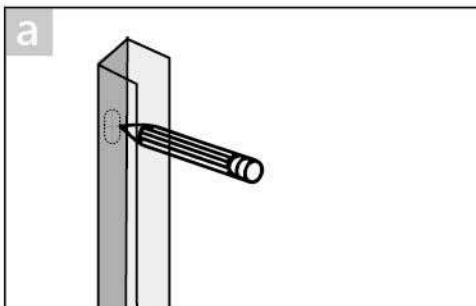
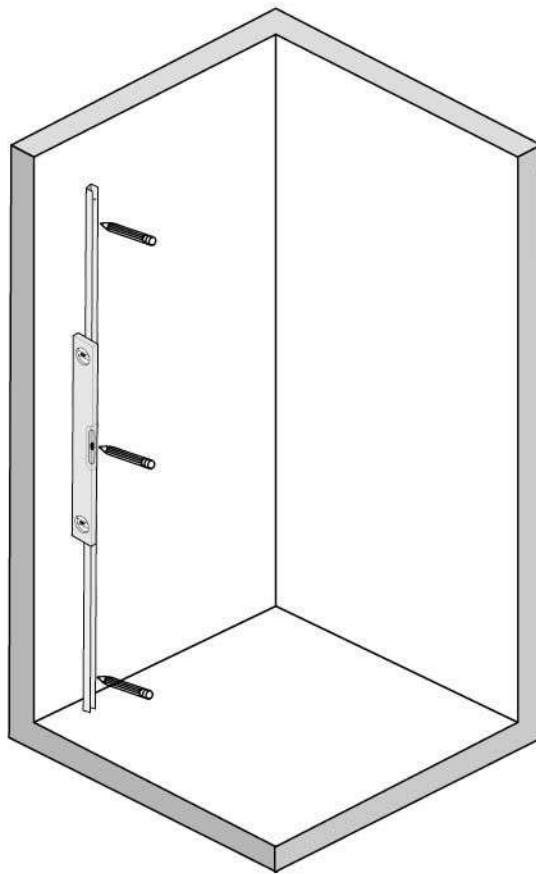




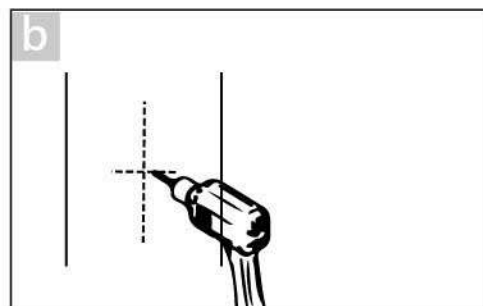
Parts list

<p>1</p>  <p>x3</p>	<p>2</p>  <p>x3</p>	<p>3</p>  <p>x1</p>
<p>Wall plugs ST4 x 30 Screws Wall channel</p>		
<p>4</p>  <p>x1</p>	<p>5</p>  <p>x2</p>	<p>6</p>  <p>x2</p>
<p>Fixed Panel ST4 x 10 screws Screw cover caps</p>		

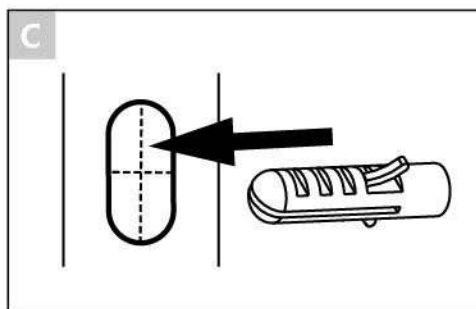
1



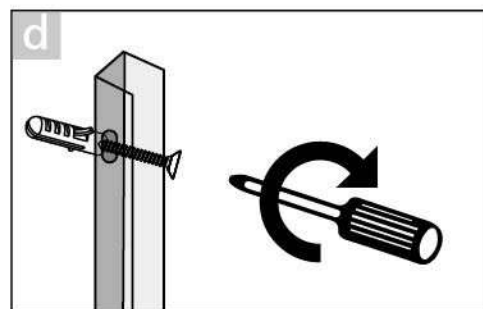
a Position and level the wall channels. Mark the fastening holes.



b Drill the wall covering.

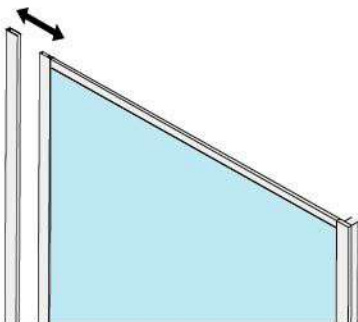


c If no studs are behind the wall covering, use wall plugs when fastening the wall channels.



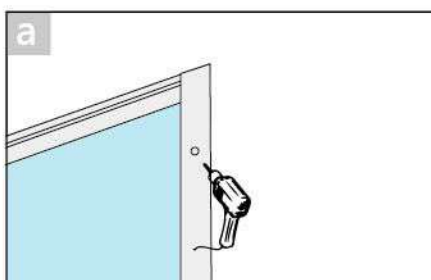
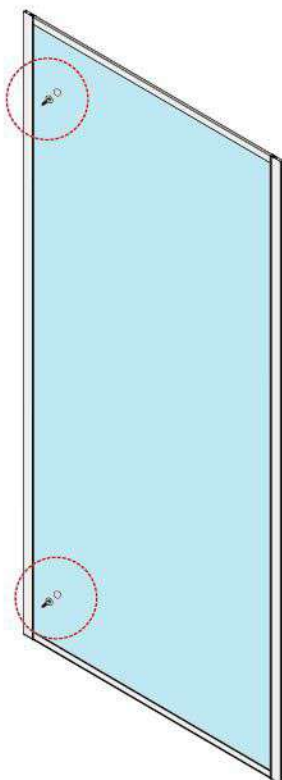
d Fasten the wall channel with ST4*30 screws.

2

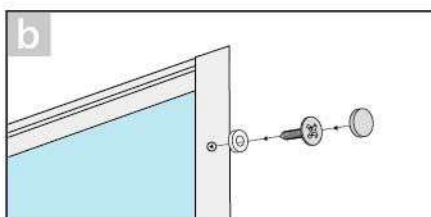


Insert fixed panel into the wall channel adjust the panel to the proper position to make sure it's level.

3

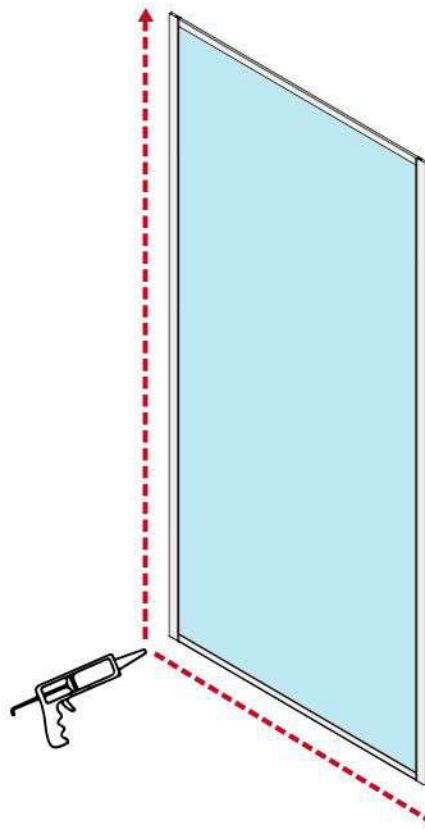


a Drill the holes on wall channel and fixed panel frame.



b Fasten the wall channel and fixed panel frame with ST4*10 screws. Fit screw cover caps.

4



Silicone along wall channel and bottom frame. Please allow at least 24 hours for the silicone to fully cure before using the shower.

